

25.110

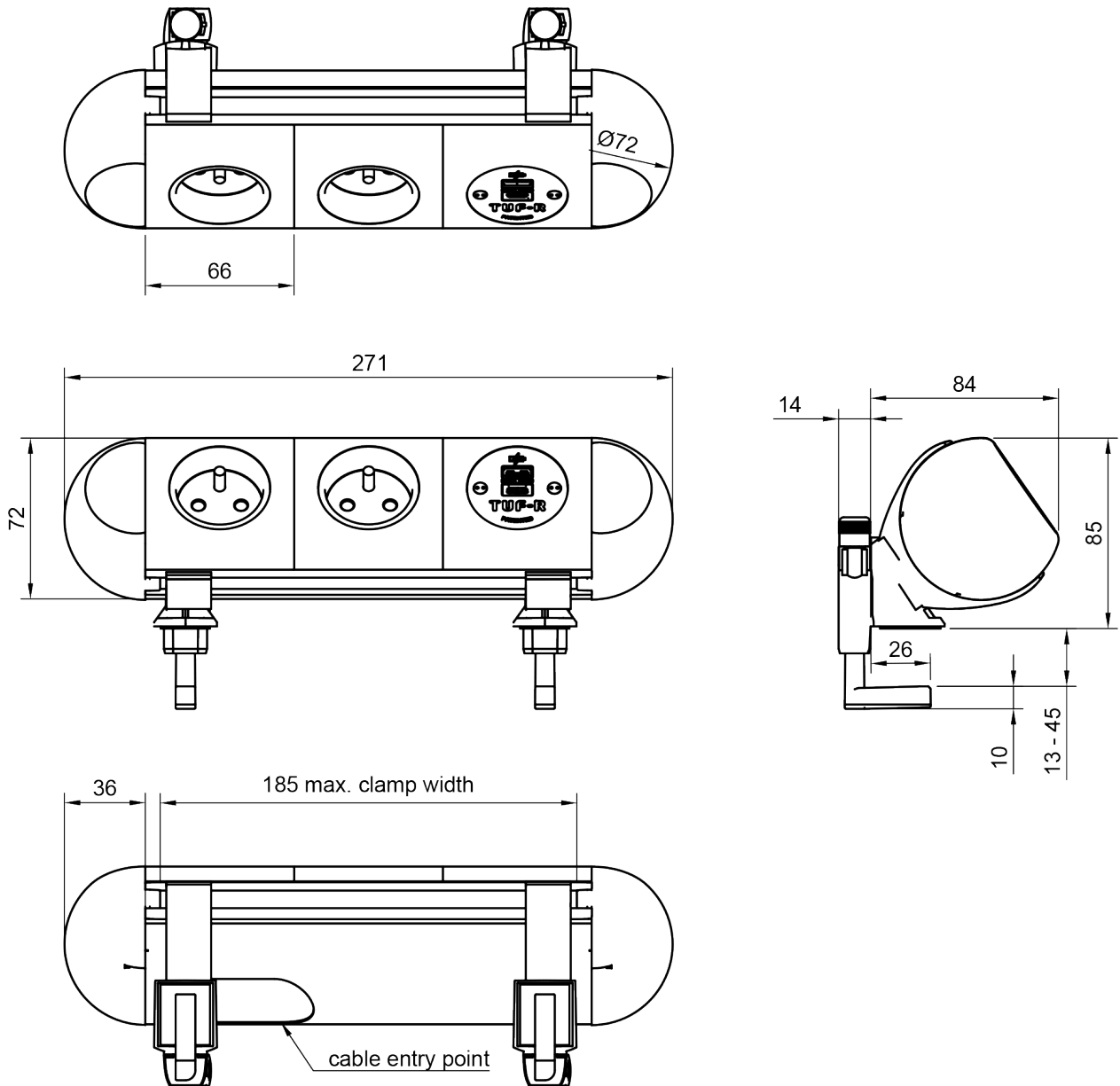
Power Polar 2x FR BE USB AC 25W - 110

Polar is a high-end solution for convenient power and data connectivity at your fingertips. Boasting exceptional design and build quality, adding a touch of contemporary style to any workspace. The removable endcaps and replaceable socket frames make it easy to modify the shape of the unit even after installation, ensuring maximum flexibility.

- 2x FR/BE power sockets, TUF-R A+C 25W USB charger
- Cool curves offer a stylish alternative
- Top access clamp for a desktop thickness of 13 up to 45mm (0,5" -1,77")
- Easy to clean and maintain
- Patented replaceable USB cartridge
- Patented TUF-R reversible USB-A and C ports, you always insert the USB-A cable correctly on the first try
- Wired as standard with a softwire 800 mm (32") male GST18 connector
- Internal overload protection (TUF module)
- LED power delivery indication (TUF module)
- All units built with European socket types are CE marked
- WEEE compliant
- Every unit is 100% tested before dispatch
- All units are manufactured in Europe in accordance with ISO 9001
- Also available in other configurations; contact us

* 10 years warranty - 2 years warranty on DC chargers and USB

power x



GST18



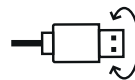
25W



French/Belgian



Leak-proof design



Reversible USB-A and C ports



Hassle-free installation

Power Polar 2x FR BE USB AC 25W - 110

2024/08/07

25.110

280x170x130mm

1 pcs

white

0,890 kg

805410251109