

25.210

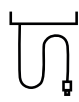
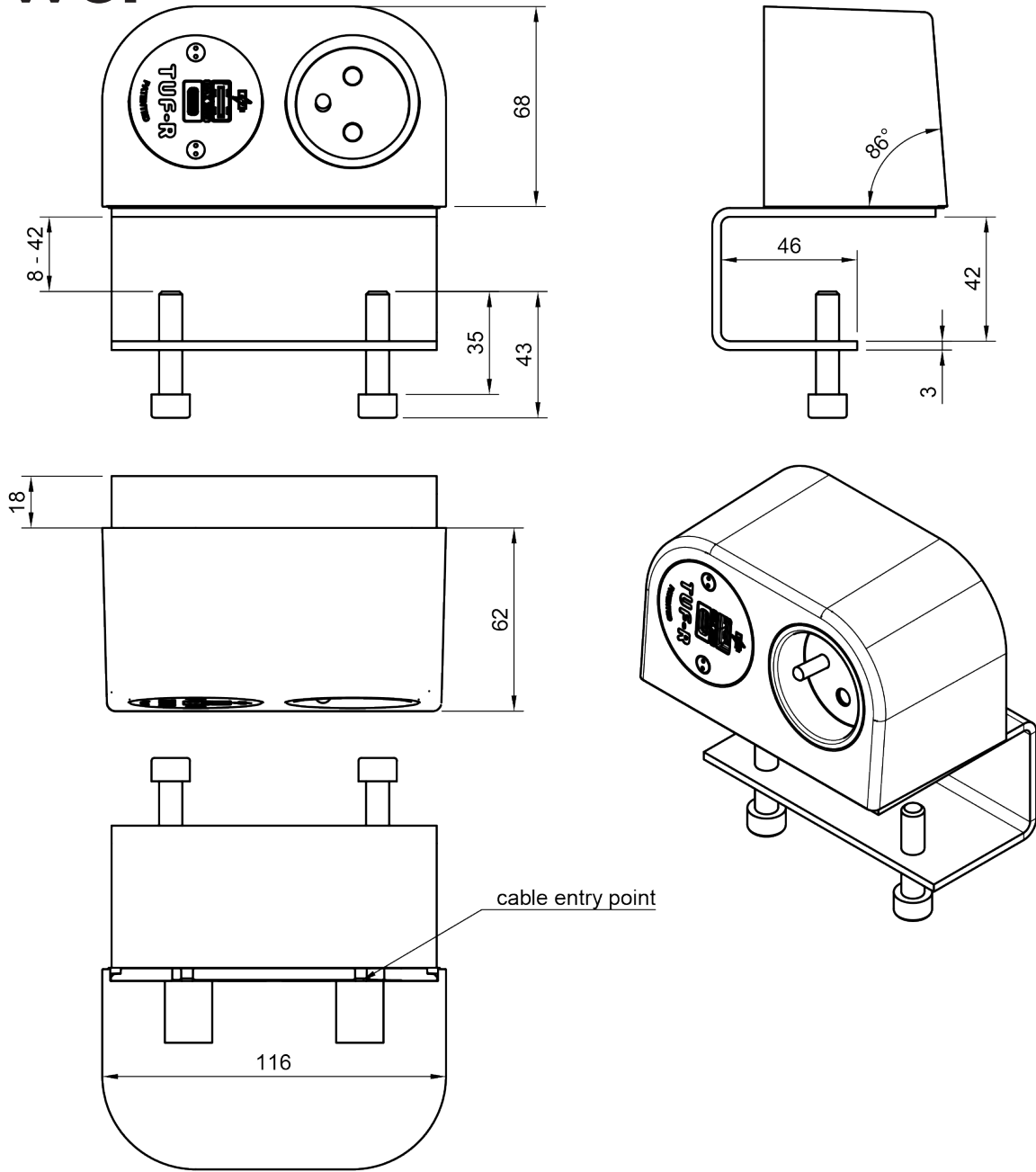
Power Phase FR BE USB AC 25W - 210

Phase is ideal for providing convenient and discreet power and USB in your office. Compact, robust, and unconstrained by convention, you will find Phase an innovative option for your furniture. With its concealed mounting bracket and rear or base cable exit, Phase is an easy-to-install solution for desks and tables. The two socket apertures can be fitted with a combination of power sockets and patented TUF-R A+C USB charging.

- 1x FR/BE power sockets, TUF-R A+C 25W USB charger
- Stylish, compact & robust design
- Suitable for a desktop thickness of 8 up to 42 mm
- Concealed mounting bracket
- Patented replaceable USB cartridge
- Patented TUF-R reversible USB-A and C ports, you always insert the USB-A cable correctly on the first try
- Wired as standard with a softwire 800 mm (32") male GST18 connector
- Internal overload protection (TUF module)
- LED power delivery indication (TUF module)
- All units built with European socket types are CE marked
- WEEE compliant
- Every unit is 100% tested before dispatch
- All units are manufactured in Europe in accordance with ISO 9001
- Also available in other configurations; contact us

* 10 years warranty - 2 years warranty on DC chargers and USB

power



GST18



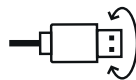
25W



French/Belgian



Leak-proof design



Reversible USB-A and C ports



Hassle-free installation

Power Phase FR BE USB AC 25W - 210

2024/08/07


25.210

 280x170x130mm

 1 pcs

 white

 0,463 kg

 805410252106