

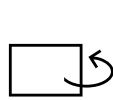
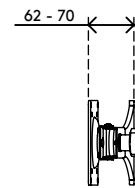
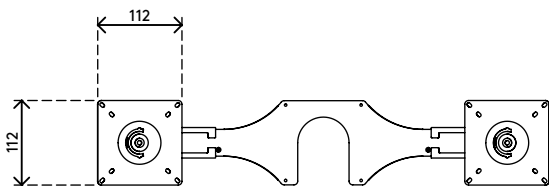
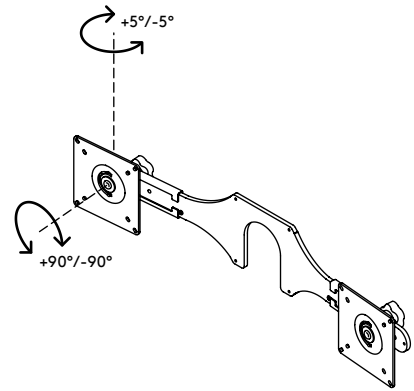
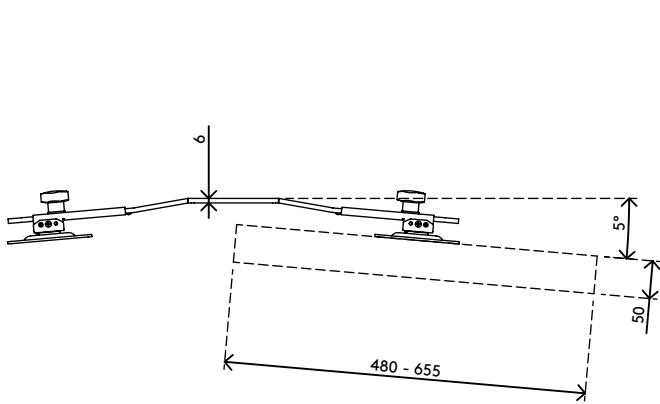
57.823

Viewmaster dual monitor mount upgrade kit - option 823

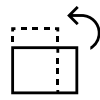
Working on dual monitors instead of one most often has productivity advantages. This kit has all the parts you need to upgrade a Viewmaster monitor arm with a single monitor mount, to a dual monitor mount. No need to buy a completely new monitor arm.

- Kit contains a crossbar and 2 VESA mounts
- Attaches to a VESA MIS-D 100 x 100 mount of Viewmaster monitor arms
- VESA MIS-D 75 x 75/100 x 100 mm compatible
- Monitors size limit: width 655 mm (25,8")
- Easy to install and adjust
- For perfect monitor alignment
- Width adjustable
- 6 mm (0,2") thick steel construction
- Supports monitors in portrait and landscape mode

viewmaster



+5°/-5°



+90°/-90°



max
655 mm (25,8")



vesa
75 x 75/100 x 100

Viewmaster dual monitor mount upgrade kit - option 823

2020/10/06

57.823

 640x150 x 80 mm

 1 pcs

 black

 2,66 kg

 805410578237