



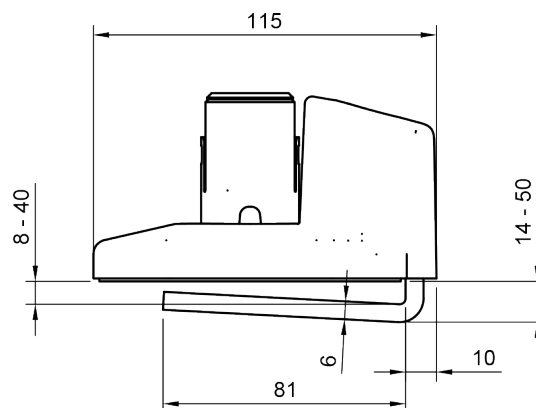
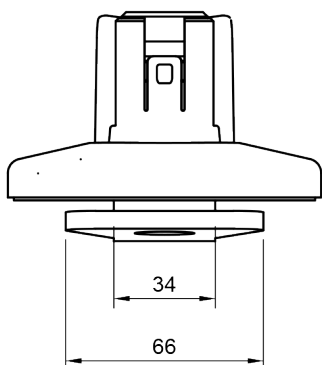
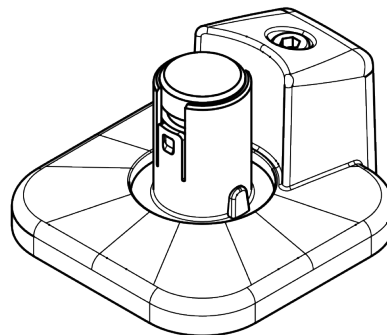
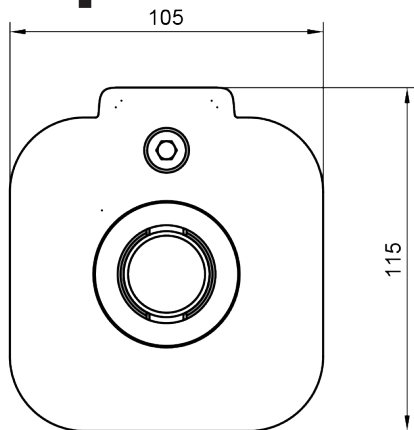
65.710

## Viewprime top access clamp - mount 710

The Viewprime top access clamp is perfectly suitable for most desktop thicknesses between 8 to 40 mm. Due to the very limited space it needs underneath the desktop itself, it also works great with sliding desktops and desktops with a cable tray. Another key benefit is that the clamp is tightened from the top, making it easy and fast to install. This clamp is designed specifically for the single Viewprime plus monitor arm (65.110).

- Suitable for desktop thicknesses from 8 to 40 mm (0,31 - 1,57")
- Tightens from the top, easy access, also for sliding desktops and limited space
- Occupies max. 6 mm of space below the desktop
- Mounting option for single Viewprime plus monitor arm (65.110)


# viewprime X



Viewprime top access clamp - mount 710


2024/08/30


# 65.710

 113 x 87 x 125 mm

 1 pcs

 white

 0,99 kg

 805410657109